

OIL AND LUBRICATION SYSTEMS

Oil and lubrication systems

OIL AND LUBRICATION SYSTEMS – TABLE OF CONTENTS

Introduction	163
Manual lubrication systems	164 – 165
Type UNI	164
Type MOS	165
Type MTM	165
Automatic lubrication systems	166 – 170
Type ELO / standard electrical connections	166
Type EOS-B / Type EOS-H	167
Type MET-B / Type MET-H	168
System structural parts	169 – 170
Central lubrication units	171 – 174
Type EPO 500 to 9000 – Central lubrication units with pump	171
EPO central lubrication units; system structure	172
Cable routing diagram with copper pipe	173
Type EET 200/EET 300/6 – electric pumps	174
UNI-Microspray	175 – 176
Accessories	177 – 189
Oil tank	177
Accessories for electric pumps	178
Oil dispenser	179
Electronic timer type 1078/1 and type 1078/1 AL	180
Magnetic float switch	181
Oil brush	182
Roller lubrication units type RSM/RSM-B	183
Fastening brackets / brush holders / mounting rails / fittings	184 – 189

LUBRICATION SYSTEMS

So that everything runs smoothly

One of our aims is to make the lifetime of your plants as long as possible. Our lubrication systems provide you with a competitively priced solution that makes an important contribution to achieving this goal.

Murtfeldt lubrication systems constitute a perfected combination of sound technology, reliable functioning, and cost effectiveness.

To meet your requirements completely – both for manual and automatic lubrication

The architecture and structure of your plants dictates whether manual or automatic lubrication systems are best. While manual units have to be opened or closed by the operator, automatic systems are electronically controlled by the plant itself. You can choose between a manual lubrication system, an automatic lubrication system, a central lubrication unit with a pump, or an automatic spray system. All of our systems have optimum dosing capability, good visual control of drippage, and a choice of Plexiglas or natural glass cylinders.

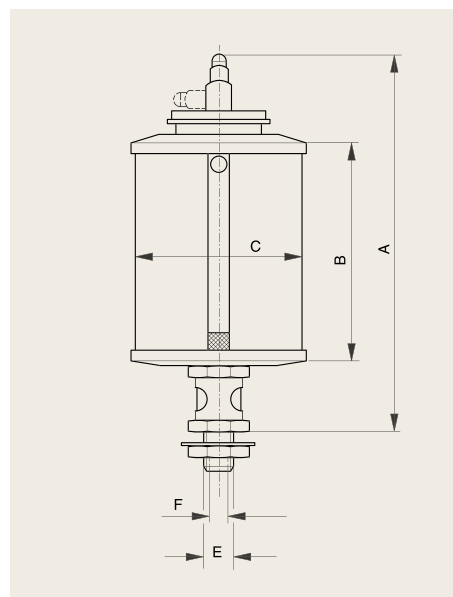


Murtfeldt lubrication systems benefit from our many years of experience in drip lubrication. Each design exactly fulfils its purpose. We are happy to advise you regarding your choice of suitable product.

TYPE UNI

Stained brass

- Open + close function
- Large filling tray with dust cover
- Suitable for one lubricating point
- Precise drip dosing via regulating spindle
- Good visual control of dripage



Type	Thread E/F	A*	B*	C*	Capacity	Plexiglas article no.	Natural glass article no.	Availability
UNI 25	G 1/4" - ø4	72	28	25	10ml	311 200 001	311 200 023	○
UNI 30	G 1/4" - ø4	77	30	30	20ml	311 200 002	311 200 012	○
UNI 40	G 1/4" - ø4	100	40	40	36ml	311 200 003	-	○
UNI 50	G 1/4" - ø4	110	50	50	84ml	311 200 004	311 200 013	○
UNI 60	G 1/4" - ø4	120	60	60	140ml	311 200 005	311 200 014	○
UNI 60 x 80	G 1/4" - ø4	140	80	60	200ml	311 200 006	311 200 015	○
UNI 80 x 100	G 1/2" - IG 1/4"	160	100	80	500ml	311 200 007	311 200 016	○
UNI 100 x 100	G 1/2" - IG 1/4"	185	100	100	750ml	311 200 008	311 200 017	○
UNI 100 x 120	G 1/2" - IG 1/4"	195	120	100	1000ml	311 200 009	311 200 018	○
UNI 130 x 150	G 1/2" - IG 1/4"	240	150	130	2000ml	311 200 010	311 200 019	○
UNI 150 x 180	G 1/2" - IG 1/4"	270	180	150	3000ml	311 200 011	311 200 020	○

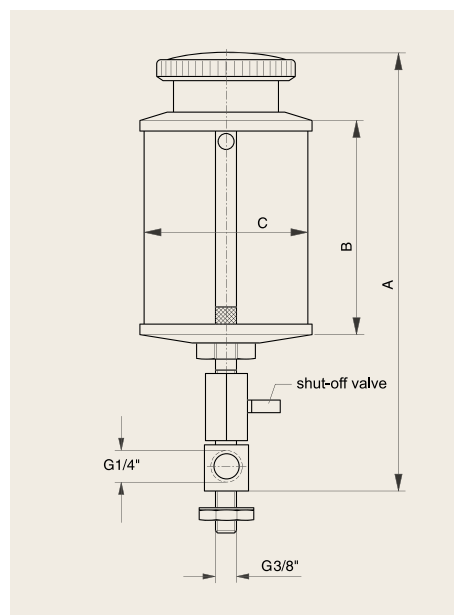
* All dimensions in mm

○ Available at short notice on request

TYPE MOS

Stained brass

- Open + close function via shut-off valve
- Medium dosing via additional oil dispenser type ETR and MTR



Type	A*	B*	C*	Capacity	Plexiglas article no.	Natural glass article no.	Availability
MOS 140	165	60	60	140ml	311 300 001	311 300 002	○
MOS 200	185	80	60	200ml	311 300 003	311 300 004	○
MOS 500	220	100	80	500ml	311 300 005	311 300 006	○
MOS 1000	240	120	100	1000ml	311 300 007	311 300 008	○
MOS 2000	295	150	133	2000ml	311 300 009	311 300 010	○
MOS 3000	315	180	150	3000ml	311 300 011	311 300 012	○

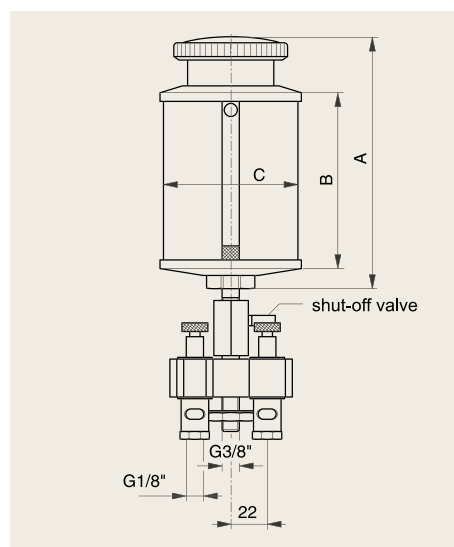
* All dimensions in mm See page 170 for system structure

○ Available at short notice on request

TYPE MTM

Stained brass

- Open + close function via shut-off valve
- Distributor battery (2 to 12 oil dispensers) with regulating spindle for precise drip dosing
- Good visual control of drippage
- Dosing possible for each individual lubricating point



Type	A*	B*	C*	Capacity	Plexiglas article no.	Natural glass article no.	Availability
MTM 140/2	195	60	60	140ml	311 400 001	311 400 002	○
MTM 200/2	215	80	60	200ml	311 400 003	311 400 004	○
MTM 500/2	250	100	80	500ml	311 400 005	311 400 006	○
MTM 1000/2	270	120	100	1000ml	311 400 007	311 400 008	○
MTM 2000/2	305	150	133	2000ml	311 400 009	311 400 010	○
MTM 3000/2	345	180	150	3000ml	311 400 011	311 400 012	○
Add-on lubricating point					312 200 009	312 200 010	○

* All dimensions in mm See page 169 for system structure

○ Available at short notice on request

Unlike manual systems, the open + close function of automatic lubrication systems is regulated electronically. This is done either via the existing machine control unit or via a freely programmable impulse generator. The systems guarantee the optimum dosing of the oil reservoir.

ELECTRICAL CONNECTIONS

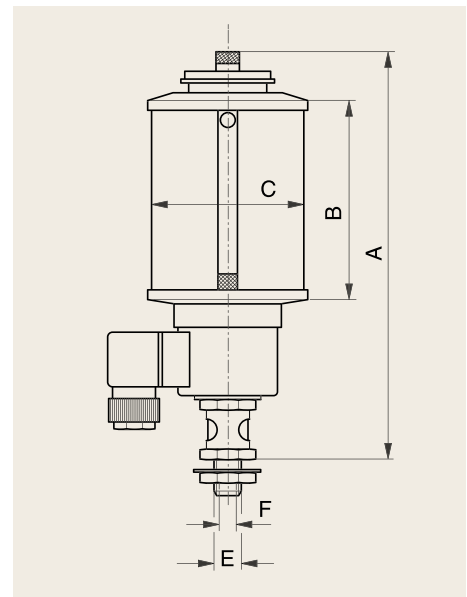
Standard designs for automatic lubrication systems

230V / 50Hz	230V / 60Hz	110V / 50Hz	48V / 50Hz	24V / 50Hz	24V / 60Hz	24V / DC	12V / DC
-------------	-------------	-------------	------------	------------	------------	----------	----------

TYPE ELO

Nickel-plated brass

- Suitable for one lubricating point
- Filling tray with dust cover
- Precise drip dosing via regulating spindle
- Good visual control of dripage



Type	Thread E	Thread F	A*	B*	C*	D*	Capacity	Plexiglas article no.	Natural glass article no.	Availability
ELO 40	G $\frac{1}{8}$ "	-	118	55	40	8	36ml	311 500 002**	311 500 006**	○
ELO 140	G $\frac{1}{2}$ "	G $\frac{1}{4}$ "	150	60	60	15	140ml	311 500 009	311 500 017	○
ELO 200	G $\frac{1}{2}$ "	G $\frac{1}{4}$ "	170	80	60	15	200ml	311 500 025	311 500 033	○
ELO 500	G $\frac{1}{2}$ "	G $\frac{1}{4}$ "	200	100	80	15	500ml	311 500 041	311 500 049	○
ELO 1000	G $\frac{1}{2}$ "	G $\frac{1}{4}$ "	240	120	100	15	1000ml	311 500 057	311 500 065	○
ELO 2000	G $\frac{1}{2}$ "	G $\frac{1}{4}$ "	285	150	133	15	2000ml	311 500 073	311 500 081	○
ELO 3000	G $\frac{1}{2}$ "	G $\frac{1}{4}$ "	315	180	150	15	3000ml	311 500 089	311 500 097	○

Protection class: In accordance with DIN 40050 IP20
 Duty cycle: 50% (max. 4 hours continuous with RT)
 Required nominal power: 12VA (for ELO 40 5VA)

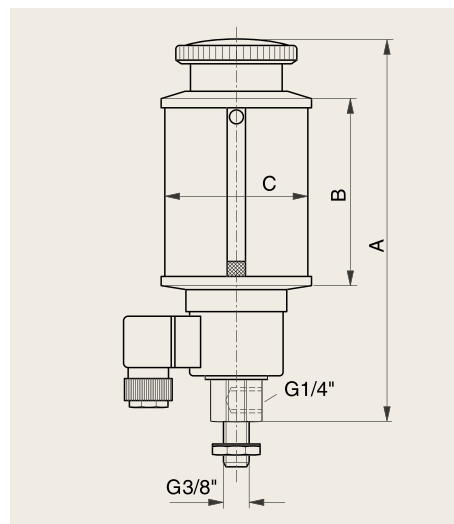
* All dimensions in mm
 ○ Available at short notice on request.

** Article numbers apply for 230V, 50Hz; except ELO 40 – 24V, 50Hz.
 If a different voltage is required, state your specifications.

TYPE EOS-B

Nickel-plated/stained brass

- Electrical lubricator for 1 – 12 lubricating points in a single line design
- Dosing via separate drip-feed lubricators type ETR or MTR
- Large filling tray with screw cap/tank cap



Type	A*	B*	C*	Capacity	Cap	Plexiglas article no.	Natural glass article no.	Availability
EOS-B 140	150	60	60	140ml	Screw	311 600 001	311 600 009	○
EOS-B 200	170	80	60	200ml	Screw	311 600 017	311 600 025	○
EOS-B 500	210	100	80	500ml	Tank	311 600 033	311 600 041	○
EOS-B 1000	250	120	100	1000ml	Tank	311 600 049	311 600 057	○
EOS-B 2000	295	150	133	2000ml	Tank	311 600 065	311 600 073	○
EOS-B 3000	325	180	150	3000ml	Tank	311 600 081	311 600 089	○

Protection class: In accordance with DIN 40050 IP 20
Duty cycle: 50% (max. 4 hours continuous with RT)
Required nominal power: 14VA

* All dimensions in mm.
○ Available at short notice on request.
See page 170 for system structure.

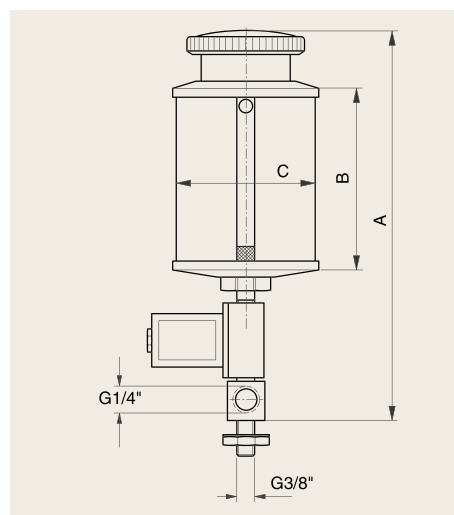
Article numbers apply for 230V, 50Hz.
If a different voltage is required, state your specifications.

TYPE EOS-H

Nickel-plated/stained brass

Same function as EOS-B

- Higher solenoid valve protection class
- Can be used in humid conditions and with dust exposure
- Available with 5,000 and 9,000ml aluminium oil reservoir



Type	A*	B*	C*	Capacity	Cap	Plexiglas article no.	Natural glass article no.	Availability
EOS-H 140	170	60	60	140ml	Screw	311 700 001	311 700 009	○
EOS-H 200	190	80	60	200ml	Screw	311 700 017	311 700 025	○
EOS-H 500	225	100	80	500ml	Tank	311 700 033	311 700 041	○
EOS-H 1000	245	120	100	1000ml	Tank	311 700 049	311 700 057	○
EOS-H 2000	280	150	133	2000ml	Tank	311 700 065	311 700 073	○
EOS-H 3000	320	180	150	3000ml	Tank	311 700 081	311 700 089	○

Protection class: In accordance with DIN 40050 IP 65. Duty cycle: 100%
Required nominal power: 8VA

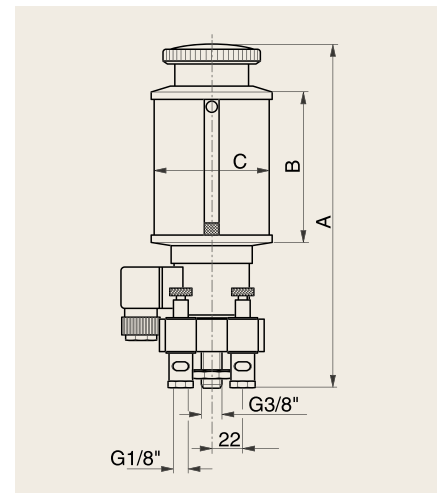
Also available in protection Exs G4 (with 3m pressed cable).
* All dimensions in mm ○ Available at short notice on request.
See page 170 for system structure.

Article numbers apply for 230V, 50Hz.
If a different voltage is required, state your specifications.

TYPE MET-B

Nickel-plated/stained brass

- 2 – 12 lubricating points design
- Drip dosing right on lubricant container
- Individual lubricating point dosing via regulating spindle
- Filling tray with screw cap/tank cap
- Good visual control of dripage



Type	A*	B*	C*	Capacity	Cap	Plexiglas article no.	Natural glass article no.	Availability
MET-B 140/2	175	60	60	140ml	Screw	311 800 001	311 800 018	○
MET-B 200/2	195	80	60	200ml	Screw	311 800 062	311 800 013	○
MET-B 500/2	235	100	80	500ml	Tank	311 800 052	311 800 009	○
MET-B 1000/2	275	120	100	1000ml	Tank	311 800 053	311 800 097	○
MET-B 2000/2	320	150	133	2000ml	Tank	311 800 043	311 800 090	○
MET-B 3000/2	350	180	150	3000ml	Tank	311 800 081	311 800 111	○
Add-on lubricating point						312 200 009	312 200 010	○

Protection class: In accordance with DIN 40050 IP 20
Duty cycle: 50% (max. 4 hours continuous with RT)
Required nominal power: 14VA

* All dimensions in mm
○ Available at short notice on request

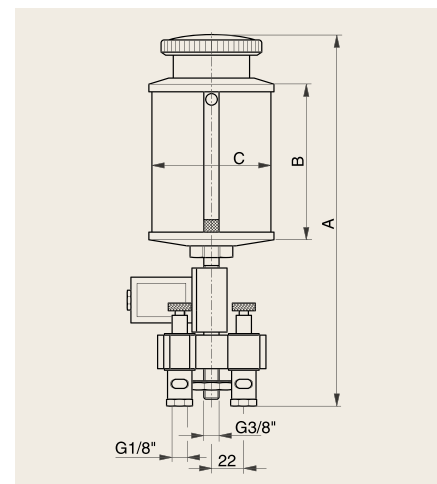
Article numbers apply for 230V, 50Hz.
If a different voltage is required, state your specifications.

TYPE MET-H

Nickel-plated/stained brass

Same function as MET-B

- Higher solenoid valve protection class
- Can be used in humid conditions and with dust exposure
- Available with 5,000 and 9,000ml aluminium oil reservoir



Type	A*	B*	C*	Capacity	Cap	Plexiglas article no.	Natural glass article no.	Availability
MET-H 140/2	200	60	60	140ml	Screw	311 900 001	311 900 009	○
MET-H 200/2	220	80	60	200ml	Screw	311 900 017	311 900 025	○
MET-H 500/2	255	100	80	500ml	Tank	311 900 033	311 900 041	○
MET-H 1000/2	275	120	100	1000ml	Tank	311 900 049	311 900 057	○
MET-H 2000/2	310	150	133	2000ml	Tank	311 900 065	311 900 073	○
MET-H 3000/2	350	180	150	3000ml	Tank	311 900 081	311 900 089	○
Add-on lubricating point						312 200 009	312 200 010	○

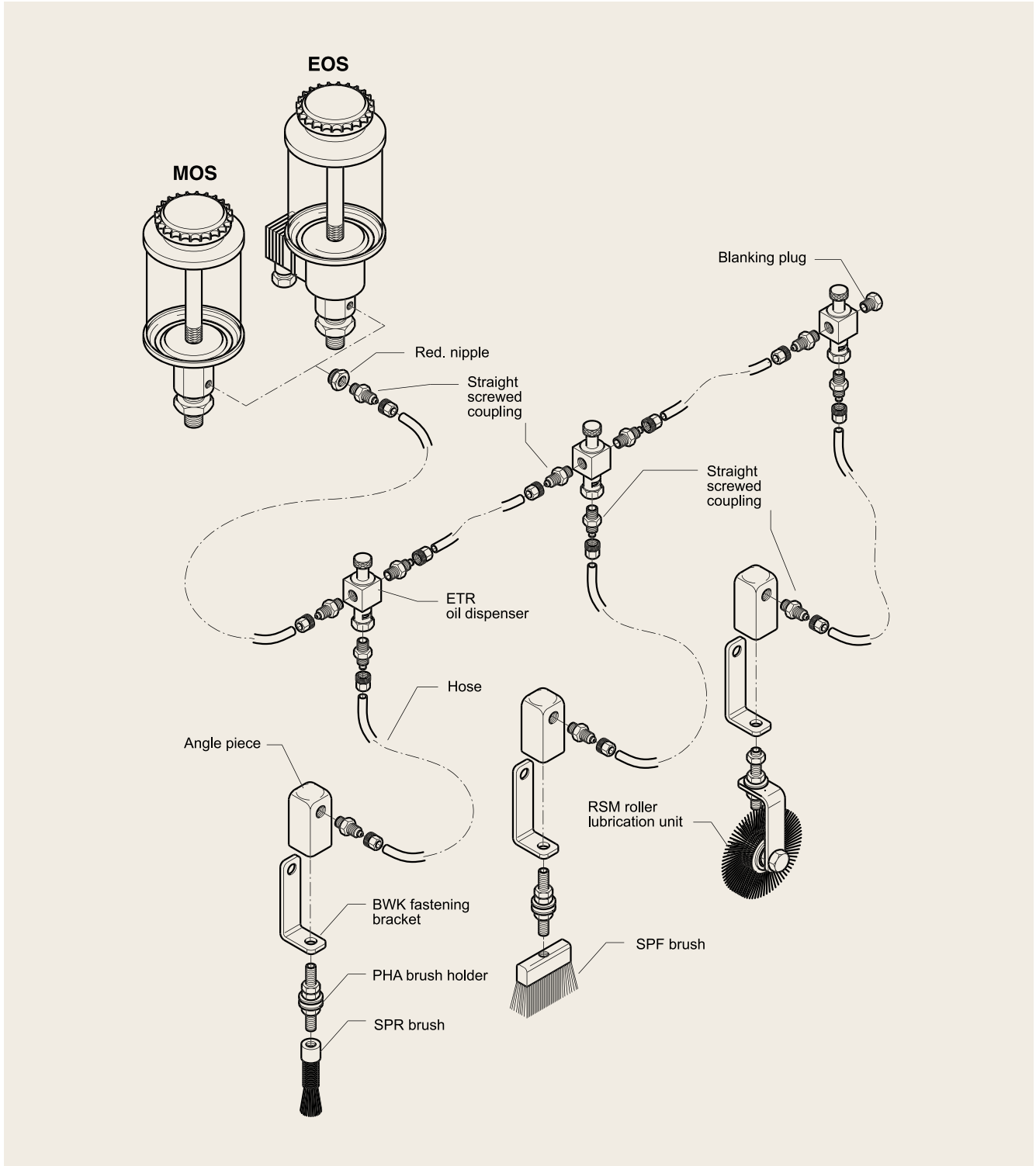
Protection class: In accordance with DIN 40050 IP 65.
Duty cycle: 100%
Required nominal power: 8VA

Also available in protection class Exs G4 (with 3m pressed cable). * All dimensions in mm
○ Available at short notice on request.

Article numbers apply for 230V, 50Hz.
If a different voltage is required, state your specifications.

MOS/EOS SYSTEM STRUCTURE

Line diagram with PVC hose or PA 12W hose



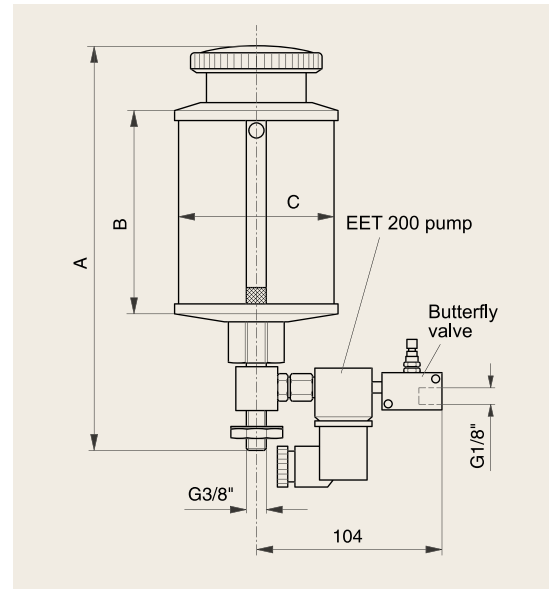
TYPE EPO 500 TO 9000

Central lubrication unit with pump

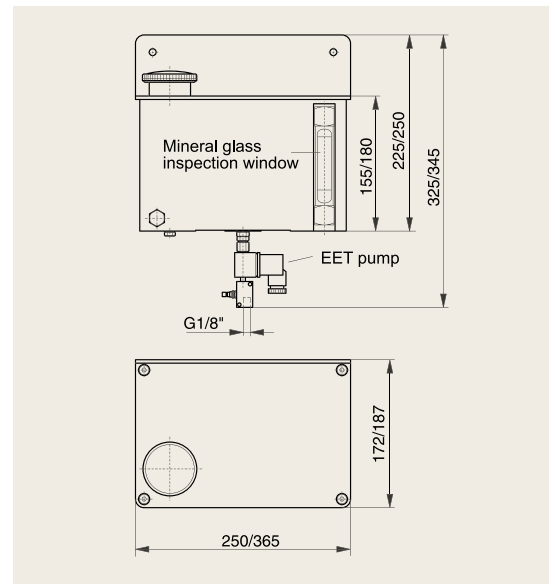
The EPO central lubrication unit consists of an electric pump, butterfly valve, and storage tank. The pump is designed for single-line operation; multiple pumps (multi-line operation) can easily be attached if using 5l and 9l reservoirs. To prevent the unit from running dry, you can opt for a reservoir with an electronic type SMM fill level display. We also recommend the installation of non-return valves to prevent the riser pipe from draining following the completion of the pump process.

- Storage tank: 0.5 – 9 Liter capacity
- EPO 500 – 3000: Plexiglas or natural glass (for single-line operation)
- EPO 5000 – 9000: Aluminium (single- and multi-line operation)
- Pump pressure: 1.5bar
- Recommended oil viscosity: $\leq 65 \text{ mm}^2/\text{s}$ at room temperature
- Oil distribution via oil dispenser type ETR and MTR
- Pump control via machine control unit or freely programmable timer

EPO 500 to 3000



EPO 5000 to 9000



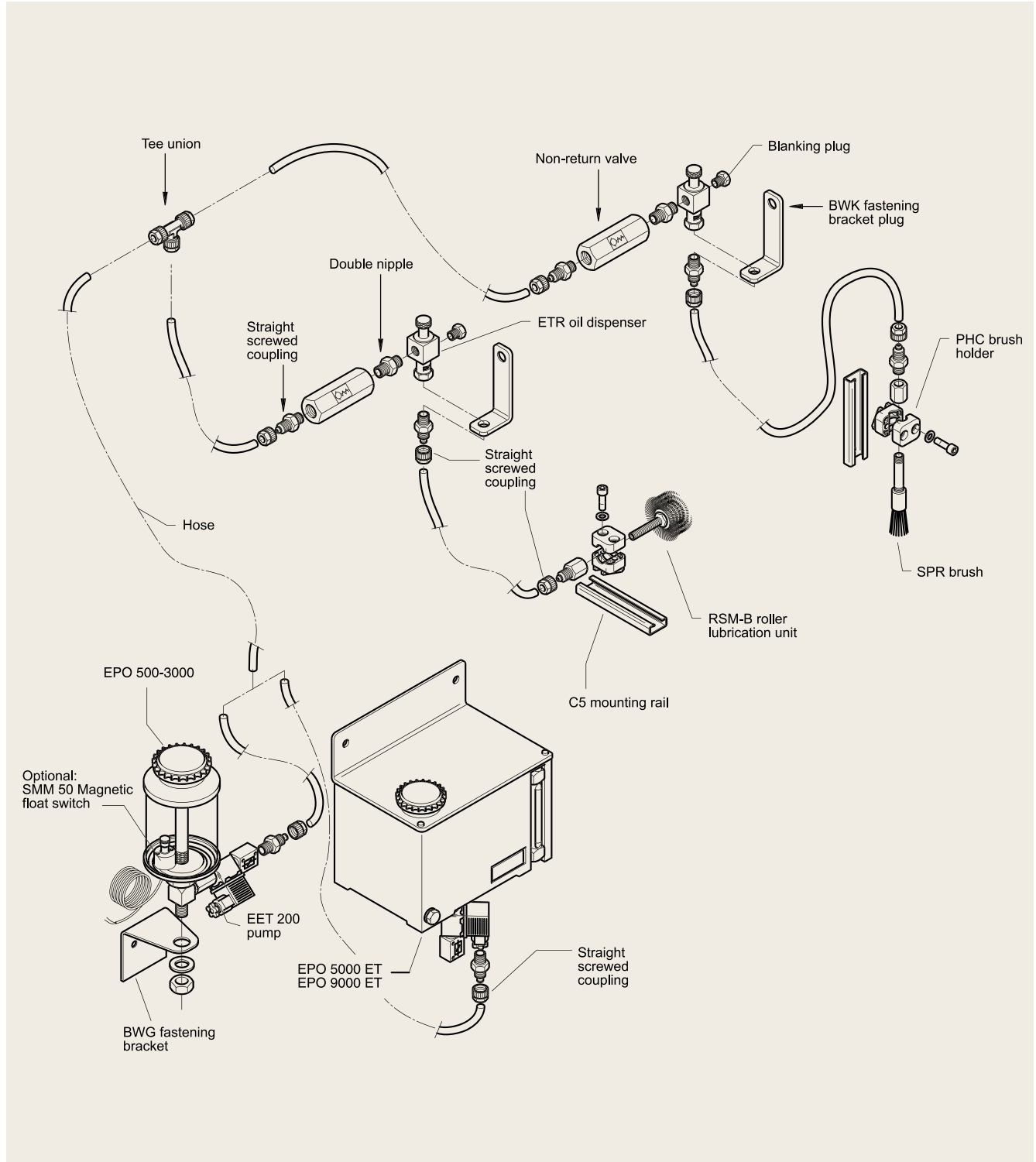
Type	A*	B*	C*	Capacity	Plexiglas article no.	Availability
EPO 500	180	100	80	500ml	312 000 001	○
EPO 1000	200	120	100	1000ml	312 000 002	○
EPO 2000	235	150	133	2000ml	312 000 003	○
EPO 3000	300	180	150	3000ml	312 000 004	○
EPO 5000	See drawing for dimensions			2000ml	312 000 005	○
EPO 9000	See drawing for dimensions			3000ml	312 000 006	○

Electrical connection: 230V 50Hz / protection class: IP 65

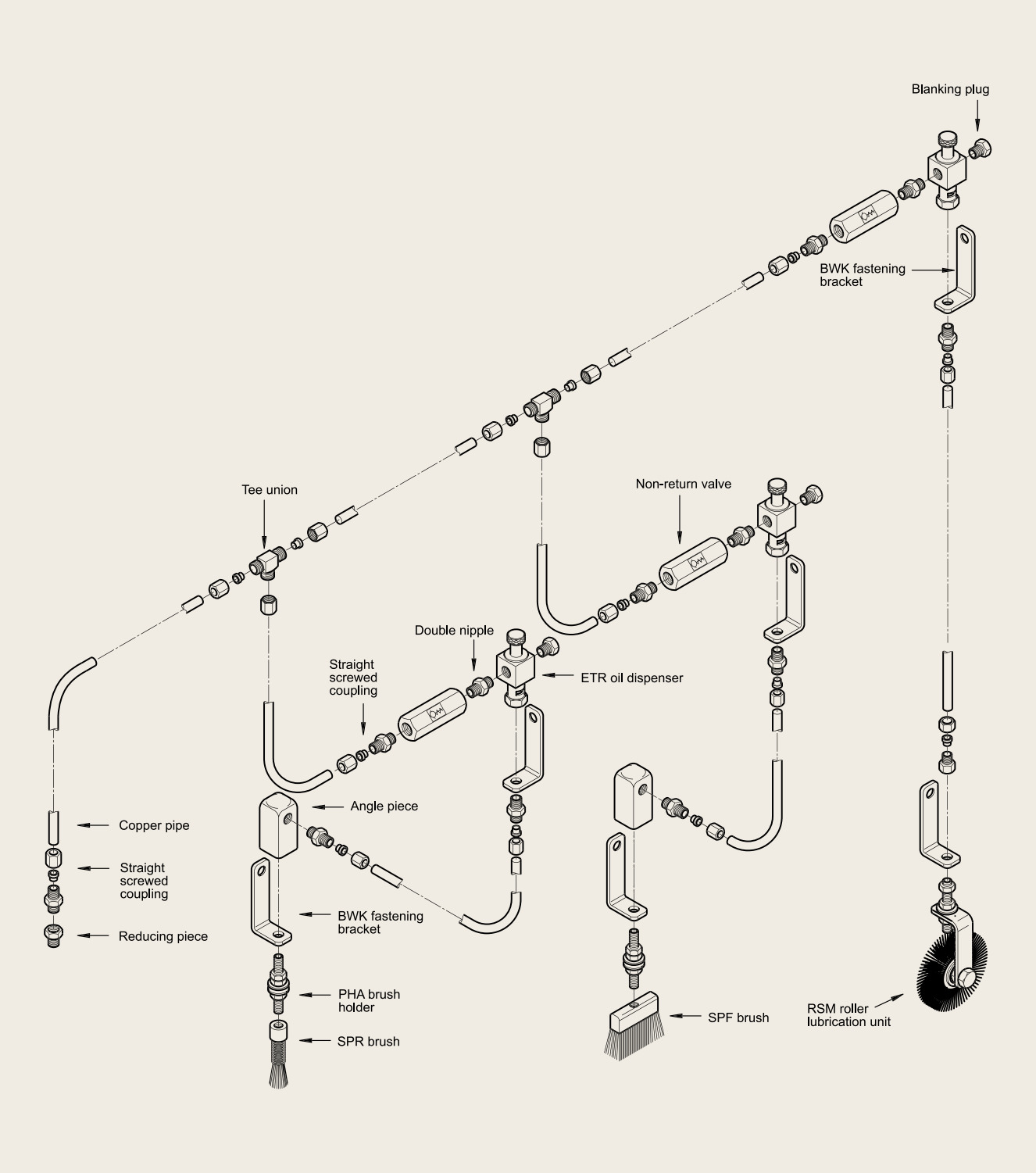
* All dimensions in mm ○ Available at short notice on request

EPO CENTRAL LUBRICATION UNIT SYSTEM STRUCTURE

For single-line operation



CABLE ROUTING DIAGRAM WITH COPPER PIPE



TYPE EET 200

Electric pump – article no. 312 100 001

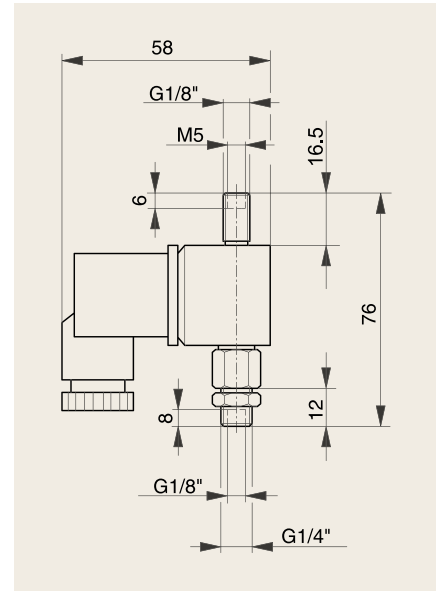
- Brass pump casing
- For single-line operation
- Supplies fluids at a pressure of 1.5bar intermittently at height of ~10m
- Controlled via existing plant control unit or via freely programmable timer (type 1078/1 AL)

RESPONSE TIMES

- 'On' time 0.5 to 90s (t off ≥ t on/ 'off' time = 'on' time)
- 'On' time 90 to 150s (t off ≥ 2 x t on)

FURTHER TECHNICAL DATA

- Power: 18.5W
- Protection class: IP 65
- Ambient temperature: ≤ 40°C
- Operating pressure: ≤ 1.5 bar
- Supply rate: 21 cm³/min; for oil: 65mm²/s
- Turn on time: max. 150s
- Maximum recommended viscosity: 65mm²/s at room temperature
- Electrical connection: 230V, 50Hz



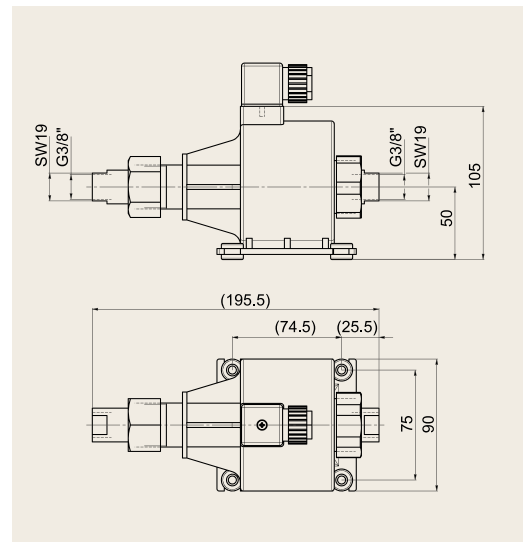
TYPE EET 300/6

Electric pump – article no. 312 100 002

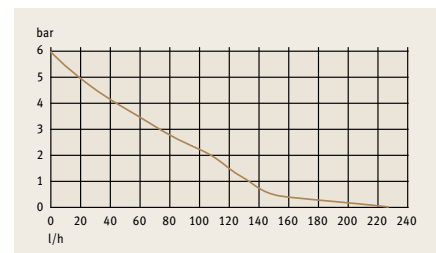
- Electromagnetic reciprocating plunger type pump
- For continuous and non-continuous operation
- Controlled via existing plant control unit or via freely programmable timer (type 1078/1)
- Integrated thermal element to prevent overheating
- Integrated rectifier diode
- Low-noise system

FURTHER TECHNICAL DATA

- Power: 60W
- Protection class: IP 65
- Operating pressure: ≤ 6bar in continuous or non-continuous operation
- Suction height ≤ 4m
- Turn on time: Full turn on time (several hours)
- Electrical connection: 230V, 50Hz
- Maximum recommended viscosity of supplied medium: 300mm²/s



Data for 6mm²/s viscosity



UNI MICROSPRAY I

Minimum use of lubricant – maximum effect

UNI Microspray I has significant advantages when compared to traditional brush lubrication systems. It enables the stepless regulation of the spray quantity. The directed spray can reach places that are out of the range of brush lubrication systems.

Both oil consumption and the contamination of the surrounding area are considerably lower in comparison with drip lubrication systems. We can configure an individual, perfectly adapted Microspray system for every single lubrication scenario. Even if the coaxial hose is mounted at an angle, the oil flow cannot become blocked since the lubrication media are transported in separate hoses. The mixing takes place in the spray head itself.

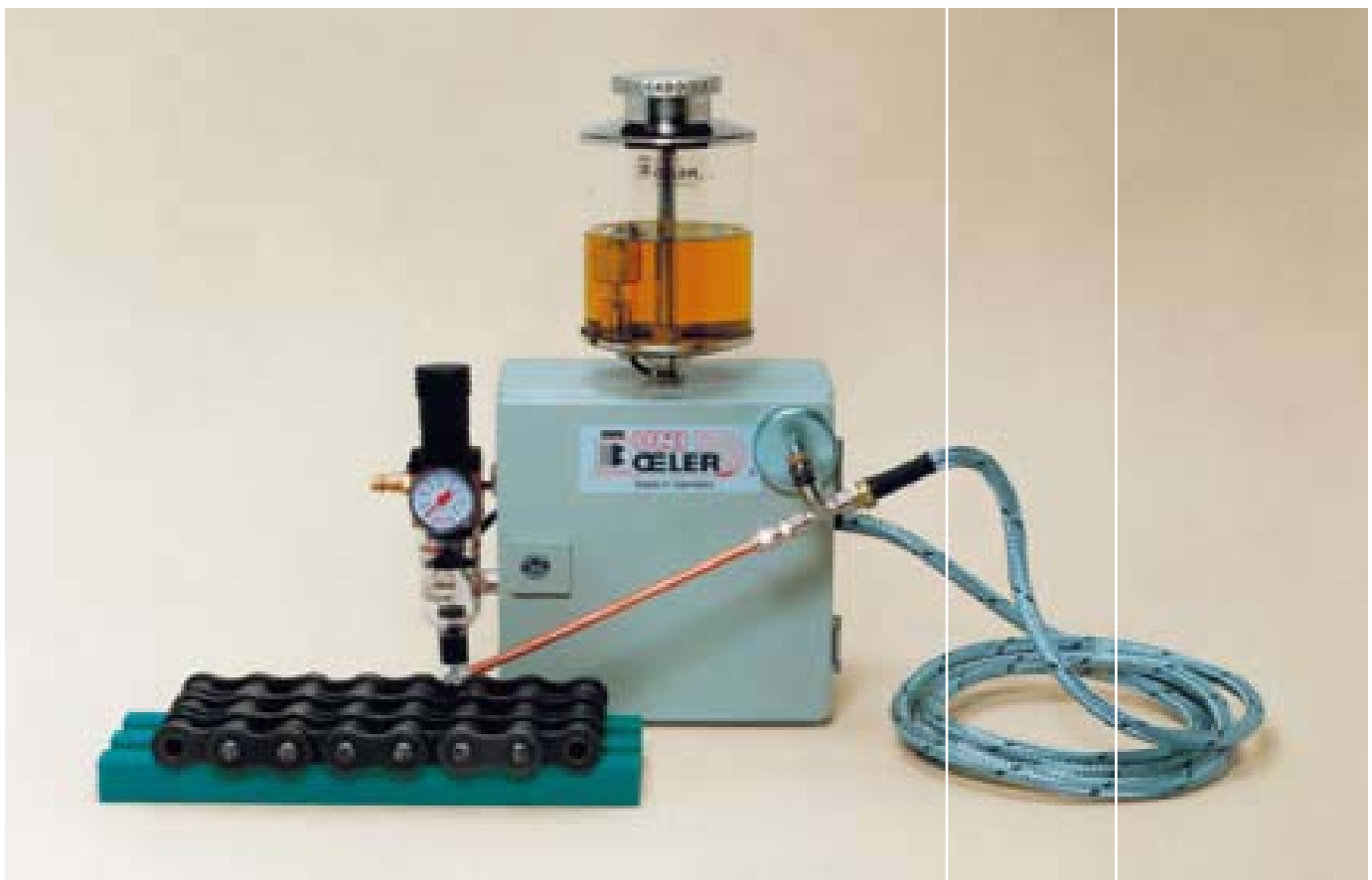
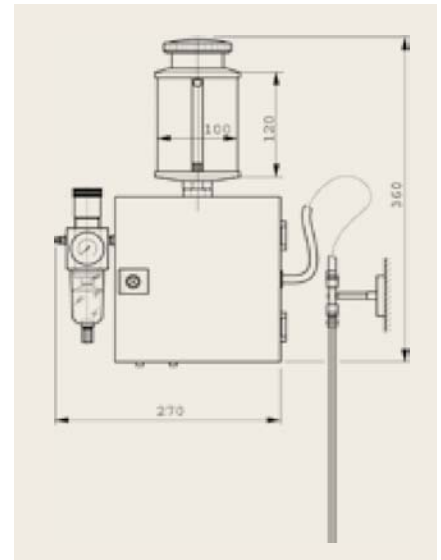
- Lubrication of chain knot points/
crossovers with central spray system

- Lubricant: Sprayable oils and bio
degradable fatty alcohols/fatty acid
ester to 120mm²/s

- Distance between dosing unit casing
and spray head: ≤ 10m

- Compressed air in pipes: 2 – 16bar

- Stepless and reproducible
adjustment of high-pressure plunger
pump (~ 80bar) possible



Design variants

ALL MICROSPRAY-I-VERSIONS

■ Plexiglas oil reservoir

■ Capacity: 1000ml

■ Electrical connection: 230V,
50Hz, 5VA

VERSION 1 / Art. no. 313 800 001

■ Protection class IP 65 incl.
1 pneumatic impulse generator

■ 1 pump

■ 2.5m metal-clad coaxial hose
with nozzle pipe

VERSION 2 / Art. no. 313 800 002

■ Protection class IP 65 incl.
1 pneumatic impulse generator

■ 2 pumps

■ 2 x 2.5m metal-clad coaxial
hoses with nozzle pipe

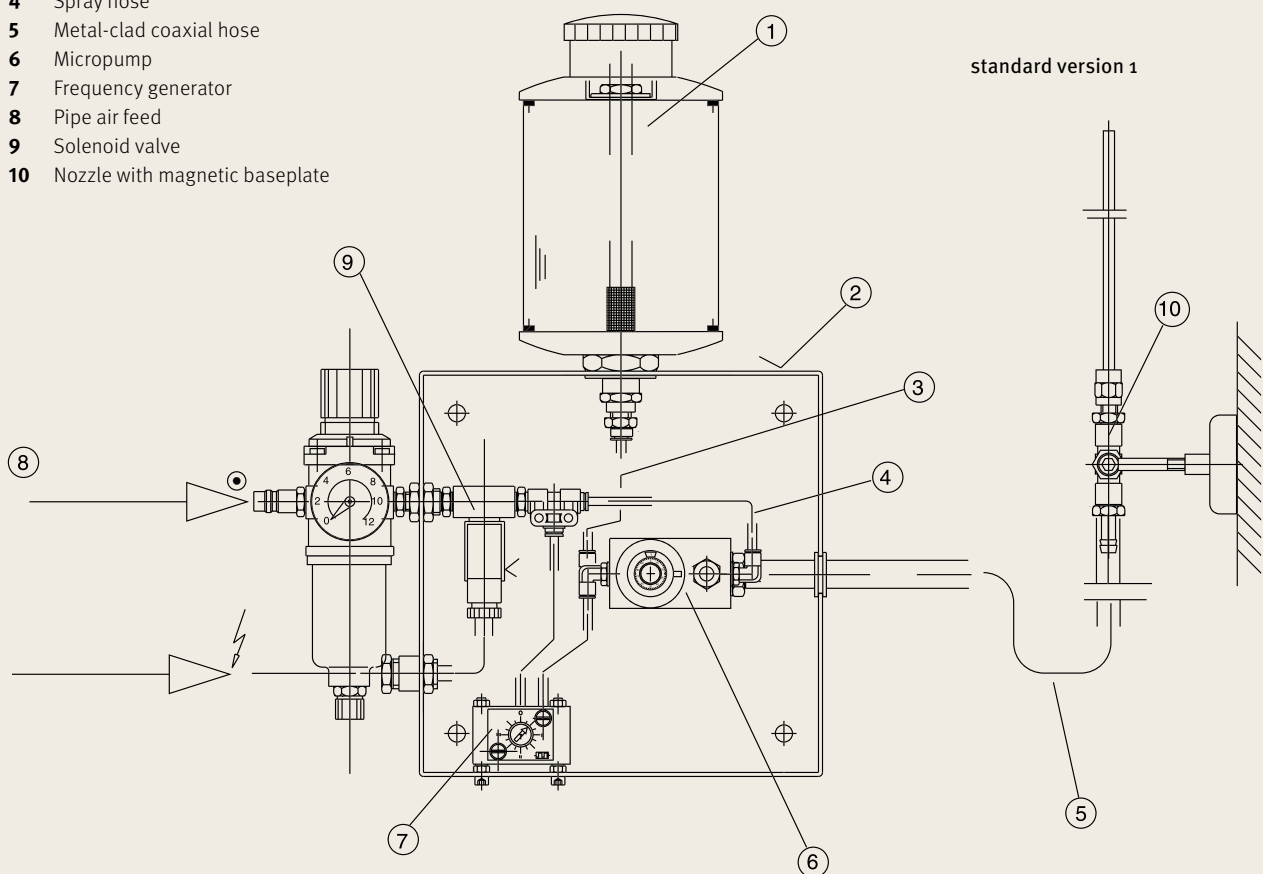
VERSION 3 / Art. no. 313 800 003

■ Protection class IP 65 incl.
2 pneumatic impulse generators

■ 2 pumps

■ 2 x 2.5m metal-clad coaxial
hoses with nozzle pipe

- 1 Lubricant reservoir
- 2 Casing (sealable)
- 3 Lubricant hose
- 4 Spray hose
- 5 Metal-clad coaxial hose
- 6 Micropump
- 7 Frequency generator
- 8 Pipe air feed
- 9 Solenoid valve
- 10 Nozzle with magnetic baseplate



OIL RESERVOIR TYPE OBH

Nickel-plated brass

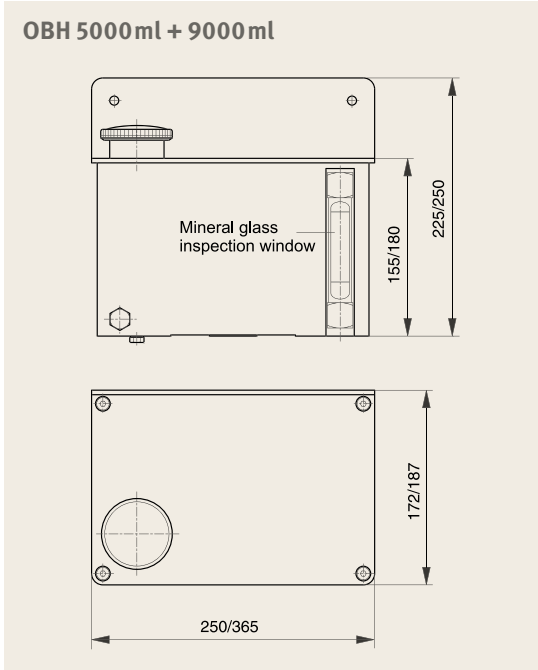
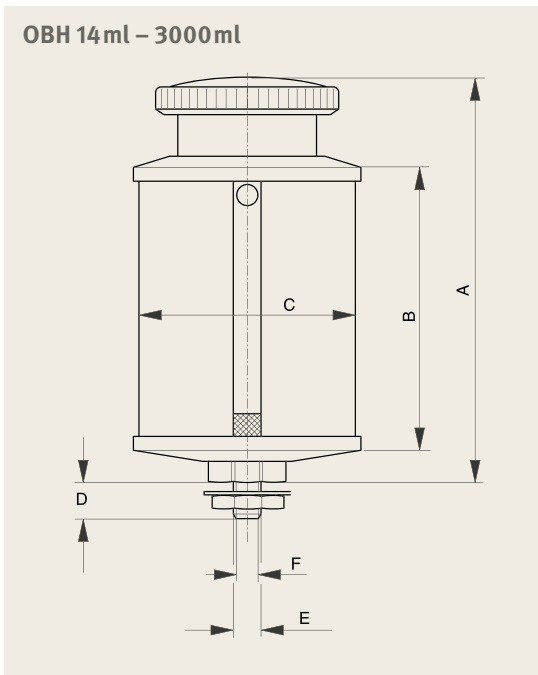
- Distribution and dosing possible via downstream oil dispenser type ETR or MTR

- Reservoir model OBH 30 – OBH 3000: Natural glass or Plexiglas

- Reservoir model OBH 5000 und OBH 9000: Aluminium

- Dustproof filling

- NBR seals (other materials available on request)



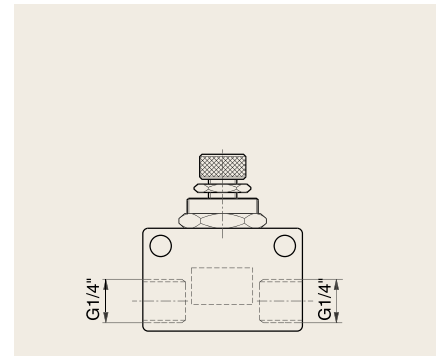
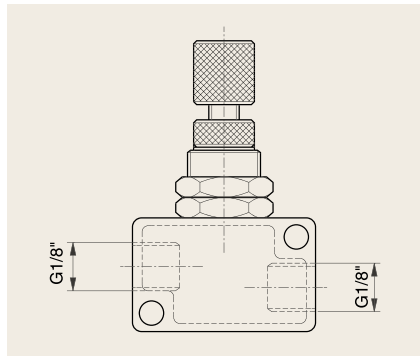
Type	Thread E/F	A*	B*	C*	D*	Capacity	Plexiglas article no.	Natural glass article no.	Availability
OBH 30	G 1/4" K	56	30	30	7	14ml	313 700 001	313 700 101	○
OBH 40	G 1/4" K	70	40	40	8	36ml	313 700 002	313 700 102	○
OBH 50	G 1/2"	88	50	50	8	84ml	313 700 003	313 700 103	○
OBH 140	G 1/2" – IG 1/4"	97	60	60	14	140ml	313 700 004	313 700 104	○
OBH 200	G 1/2" – IG 1/4"	104	80	60	14	200ml	313 700 005	313 700 105	○
OBH 500	G 1/2" – IG 1/4"	128	100	80	14	500ml	313 700 006	313 700 106	○
OBH 1000	G 1/2" – IG 1/4"	148	120	100	14	1000ml	313 700 007	313 700 107	○
OBH 2000	G 1/2" – IG 1/4"	180	150	133	14	2000ml	313 700 008	313 700 108	○
OBH 3000	G 1/2" – IG 1/4"	240	180	150	14	3000ml	313 700 009	313 700 109	○
OBH 5000 AL	IG 3/8"	See drawing for dimensions				5000ml	313 700 201		○
OBH 9000 AL	IG 3/8"	See drawing for dimensions				9000ml	313 700 202		○

* All dimensions in mm

○ Available at short notice on request

ACCESSORIES FOR ELECTRIC PUMPS

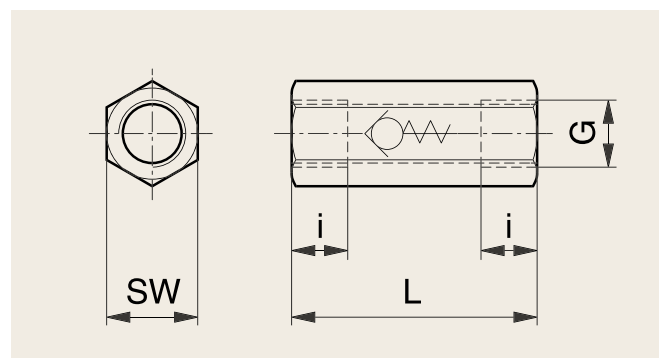
Butterfly valves



Type	Design	DN	For pump	Screw thread	Article no.	Availability
RFO-133-A30-1/8"	Precision cone valve	3	EET 200	G 1/8"	313 900 001	○
RFO-133-A60-1/4"	Precision slit valve	6	EET 300	G 1/4"	313 900 002	○

Perbunan seals	Pressure range: 0.2 to 10bar	Temperature range: -20 to +80°C	○ Available at short notice on request
----------------	------------------------------	---------------------------------	--

Non-return valves



Type	DN	Length L	Thread length i	SW	Screw thread	Seal material	Temperature range	For pump	Article no.	Availability
VNR-133-M40-1/8B	4	37	8	13	G 1/8"	Perbunan	-10 – +90°C	EET 200	313 900 001	○
VNR-133-M40-1/8F	4	37	8	13	G 1/8"	Viton	-10 – +130°C	EET 200	313 900 002	○
VNR-133-M60-1/4B	6	44	9	17	G 1/4"	Perbunan	-10 – +90°C	EET 300	313 900 003	○
VNR-133-M60-1/4F	6	44	9	17	G 1/4"	Viton	-10 – +130°C	EET 300	313 900 004	○

Pressure range: 0.2 to 16bar	Material: Stainless steel balls and springs; Brass 58 nickel-plated valve body	○ Available at short notice on request
------------------------------	--	--

OIL DISPENSER TYPE ETR 10490/MTR 2-24

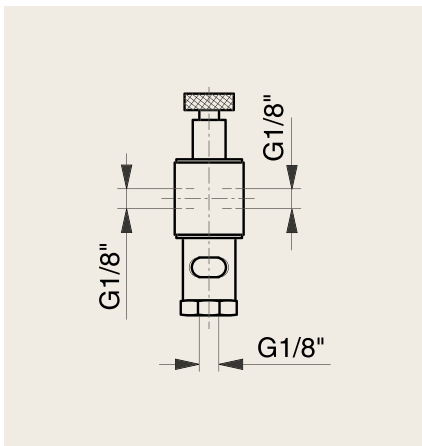
Stained brass

Oil dispensers type ETR and MTR are used throughout machine construction but especially in conveyor and transportation plants. In combination with our manually (MOS) and electrically (EOS) controlled oil applicators, automatic lubrication plants can be configured for practically any usage scenario. The connection of multiple ETR oil dispensers in series enables multiple lubricating points to be provided with lubricant at one time.

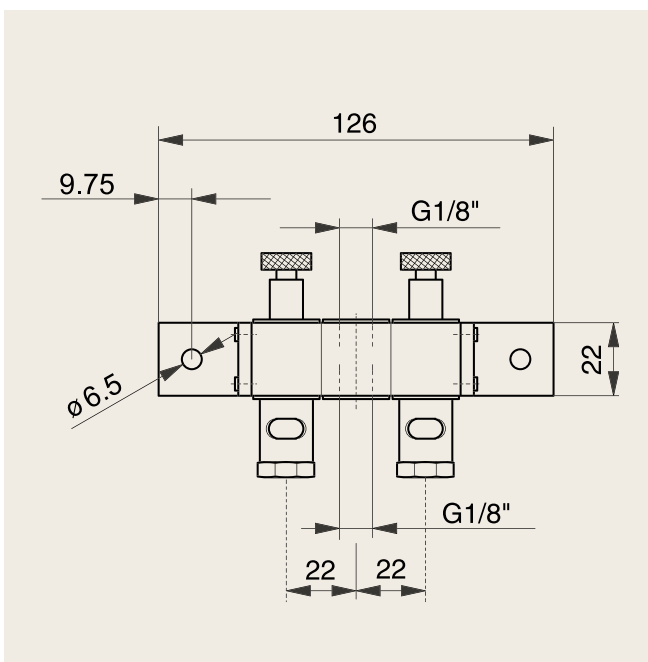
TYPE MTR

- Batteries of multiple oil dispensers with lateral fastening brackets
- Batteries with an uneven number of oil dispensers are possible with an add-on lubricating point

Type ETR 10490



Type MTR 2 – 24



Type	Article no.	Availability
ETR	312 200 001	○
MTR 2	312 300 001	○
MTR 4	312 300 002	○
MTR 6	312 300 003	○
MTR 8	312 300 004	○
MTR 10	312 300 005	○
MTR 12	312 300 006	○
MTR 14	312 300 007	○
MTR 16	312 300 008	○
MTR 18	312 300 009	○
MTR 20	312 300 010	○
MTR 22	312 300 011	○
MTR 24	312 300 012	○
Add-on lubricating point	312 200 009	○

Inspection window can be delivered in natural glass for all types.
 ○ Available at short notice on request

ELECTRONIC TIMERS

Type 1078/1 and Type 1078/1 AL

Our electronic timers act as pulse/impulse generators for automatic lubrication systems (type 1078/1), the EET 300/6 pump (type 1078/1), and central lubrication units (type 1078/1 AL).

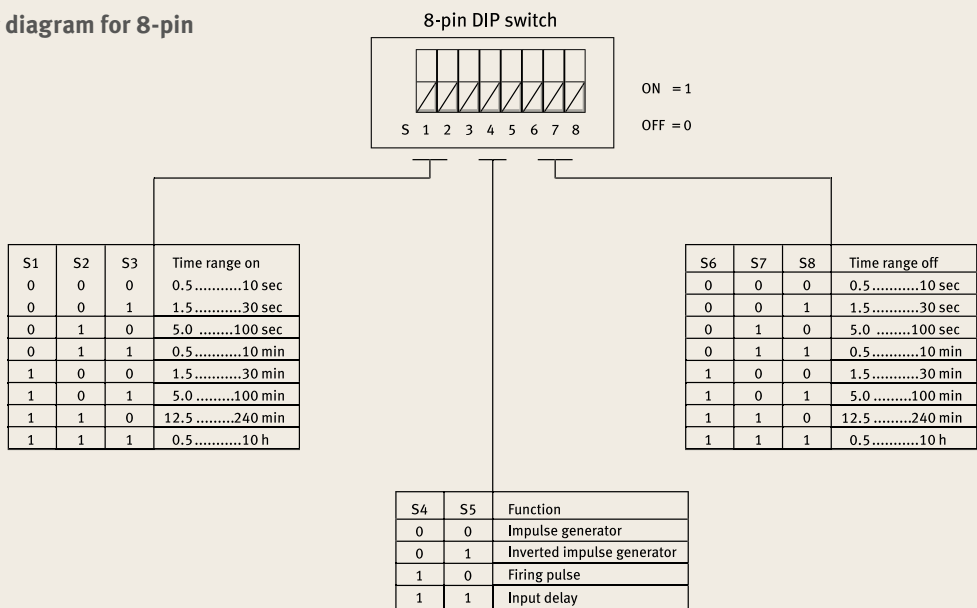
- Control components such as time-delay relays, clock relays, SPS, and so on can be replaced
- 8-pin DIP switch enables four functions and eight cut-in/off ranges
- Simple assembly: Removal of device socket and insertion of timer type 1078-1
- Flexible cable outlet (90° steps) enables installation even in difficult installation space conditions
- Permanent control of supply voltage and valve control via integrated LED display
- Splash-proof in accordance with IP 65
- Can be combined with various valves in accordance with DIN 43650



Type	Article no.	Voltage ranges
1078/1	312 400 001	110 – 230 V/50 – 60 Hz AC
1078/1	312 400 002	24 – 48 V/50 – 60 Hz AC and DC
1078/1 AL	312 400 003*	110 – 230 V/50 – 60 Hz AC

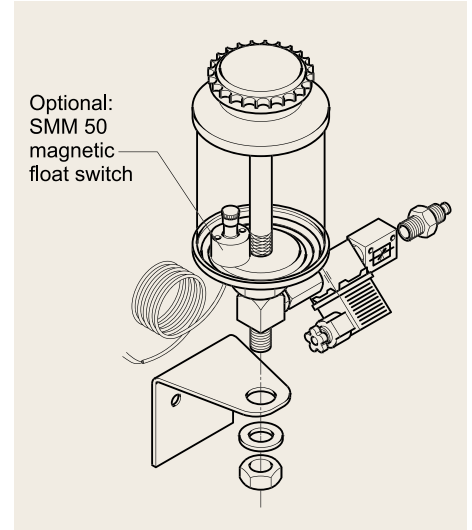
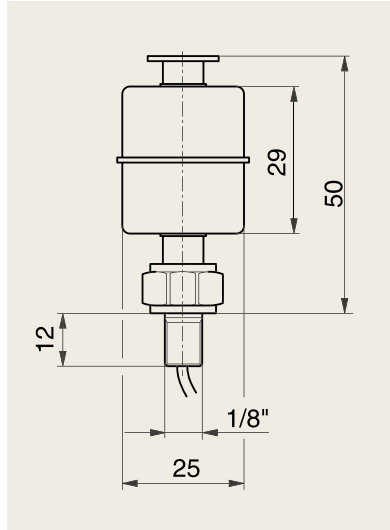
* Suitable for EPO central lubrication unit and EET 200 pump

Programming diagram for 8-pin DIP switch



MAGNETIC FLOAT SWITCH

- Perfect monitoring of fluids in storage tanks
- Hermetically enclosed contacts
- Contact-free actuation via magnetic field in float



Type	Electrical connection	Cable	Temperature	Article no.	Availability
SMM 50	Max. voltage: 300V AC/DC 10 W contact load	1 m LIYY 2 x 0.25mm ²	-20 to +100°C	314 000 001*	○

* Wired ready for connection in corresponding oil reservoir

○ Available at short notice on request

Installation possible for:

Product	Design
ELO	1000 – 3000
EOS-B	1000 – 3000
MET-B	1000 – 3000
EOS-H	500 – 9000
MET-H	500 – 9000
OBH	500 – 9000
EPO	500 – 9000
UNI	100 – 150
MOS	500 – 9000

Hoses/pipes

Product	Variant	ø D/d	Article no.	Avail-ability	ø D/d	Article no.	Avail-ability	ø D/d	Article no.	Avail-ability
Hose	Soft PVC	¾	312 900 001	○	¾	312 900 002	○	10/8	312 900 003	○
Hose	Polyamide PA 12 W	¾	312 900 004	○	¾	312 900 005	○	10/8	312 900 006	○
Pipe	CU copper	¾	312 900 007	○	¾	312 900 008	○			

○ Available at short notice on request

OIL BRUSHES TYPE SPR

■ Mount: Brass or aluminium

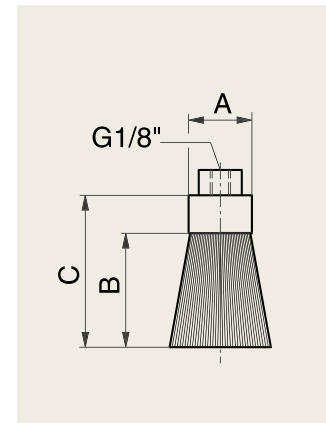
■ Bristles: Perlon to 70°C, stainless steel from 70°C

■ Undulating bristle structure prevents drip formation

Type	ø A	B*	C*	Perlon bristle article no.	Stainless steel bristle article no.	Availability
SPR 6,5	6,5	50	65	312 600 001	312 600 005	○
SPR 16	16	30	53	312 600 002	312 600 006	○
SPR 25	25	45	60	312 600 003	312 600 007	○
SPR 30	30	45	62	312 600 004	312 600 008	○

* All dimensions in mm

○ Available at short notice on request



OIL BRUSHES TYPE SPF

■ Mount: Aluminium

■ Bristles: Perlon to 70°C, stainless steel from 70°C

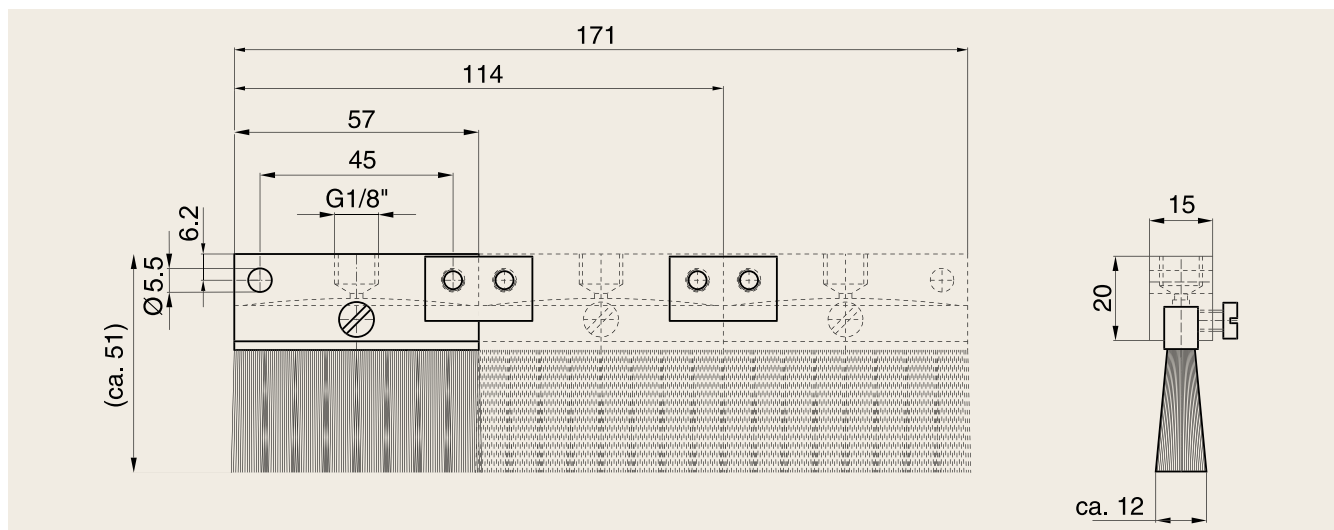
■ Flat brushes available in various widths

■ To achieve an even film of oil, we recommend that you use one oil dispenser per connection

Type	Perlon bristle article no.	Stainless steel bristle article no.	Availability
SPF 57	312 700 001	312 700 005	○
SPF 114	312 700 002	312 700 006	○
SPF 171	312 700 003	312 700 007	○

* All dimensions in mm

○ Available at short notice on request



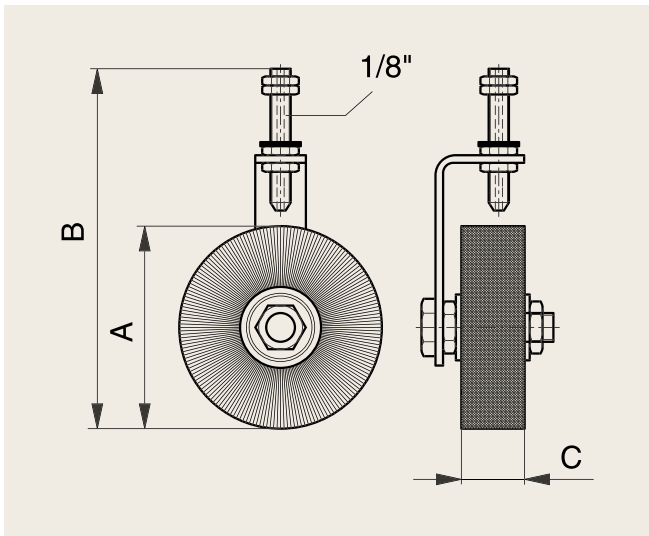
ROLLER LUBRICATION UNITS TYPE RSM/RSM-B

TYPE RSM

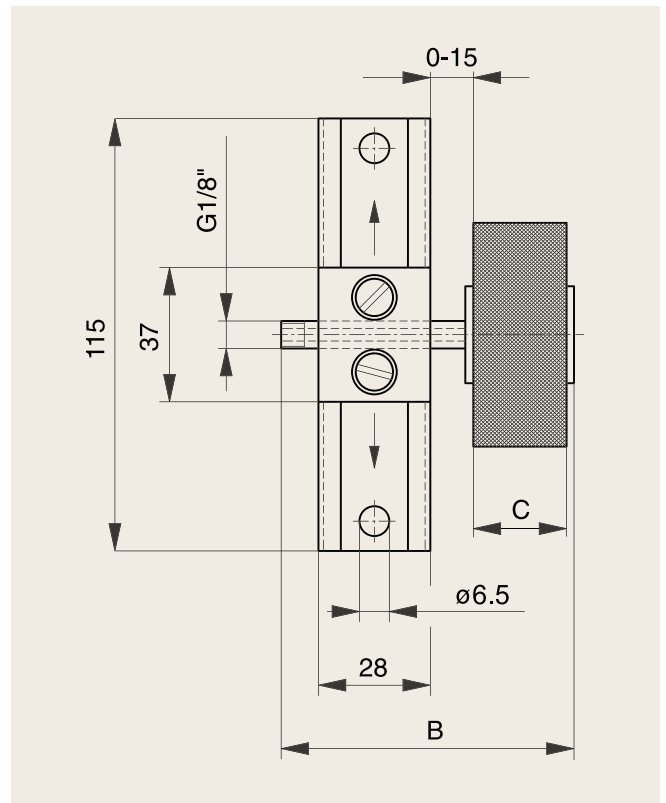
- For lubricating contact surfaces, chains, and so on
- Wheel brush for cleaning extremely dirty chains
- Bristles: Perlon to 70°C, stainless steel from 70°C

TYPE RSM-B

- Oil supply from inside
- Variable mount with aluminium clamp on steel C section
- Hole pitch adapted for fastening bracket 1 (article no. 281090 001) from Murtfeldt SPANN-BOX®-range (additional assembly aid)



RSM 80



RSM-B

Type	A*	B*	C*	Perlon bristles article no.	Stainless steel bristles article no.	Availability
RSM 80	80	137	25	312 800 001	312 800 010	○
RSM-B 60/20	60	74	20	312 800 002	312 800 011	○
RSM-B 60/25	60	82	25	312 800 003	312 800 012	○
RSM-B 60/30	60	91	30	312 800 004	312 800 013	○
RSM-B 60/40	60	99	40	312 800 005	312 800 014	○
RSM-B 80/20	80	74	20	312 800 006	312 800 015	○
RSM-B 80/25	80	82	25	312 800 007	312 800 016	○
RSM-B 80/30	80	91	30	312 800 008	312 800 017	○
RSM-B 80/40	80	99	40	312 800 009	312 800 018	○

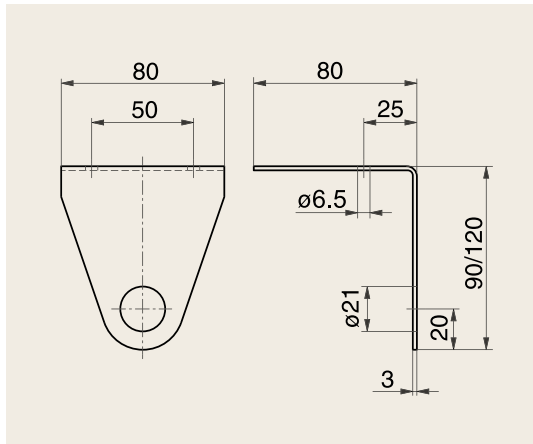
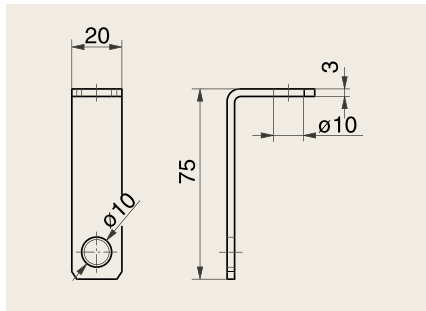
* All dimensions in mm

○ Available at short notice on request

FASTENING BRACKETS, BRUSH HOLDERS, MOUNTING RAILS

Fastening bracket BWK

Galvanized steel, for brush holder PHA
Article no.: 313 600 001



Fastening bracket BWG

Galvanized steel, for oil reservoir

BWG 1 (to 1,000ml)

L = 90mm

Article no.: 313 600 002

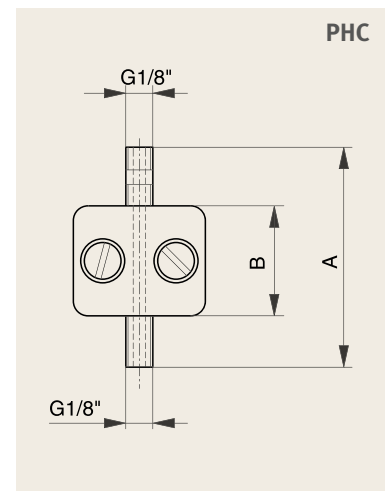
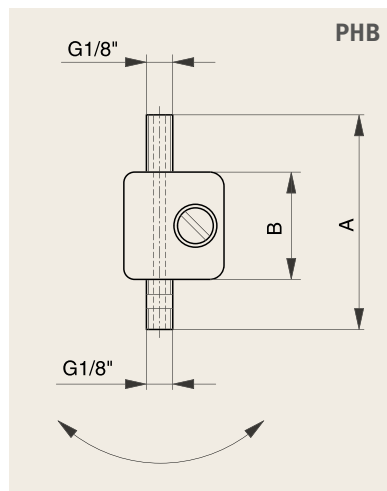
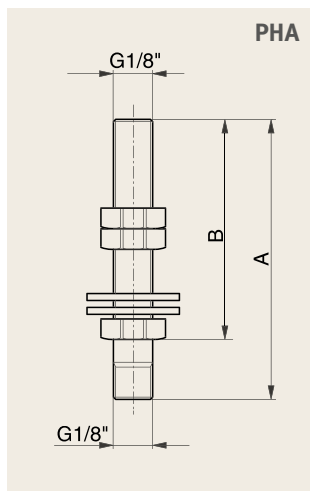
BWG 2 (from 2,000ml)

L = 120mm

Article no.: 313 600 003

Brush holder

Galvanized steel



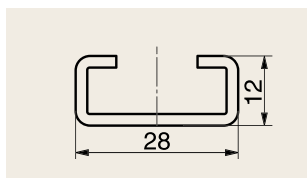
	Type	A*	B*	Thread	Article no.	Availability
Height adjustment via thread	PHA 60	60	47	G 1/8"	313 000 001	○
	PHA 80	80	47	G 1/8"	313 000 002	○
	PHA 120	120	47	G 1/8"	313 000 003	○
Height adjustment via clamping device; for attachment on a mounting rail; pivotable	PHB 60	60	30	G 1/8"	313 000 004	○
	PHB 80	80	30	G 1/8"	313 300 005	○
	PHB 120	120	30	G 1/8"	313 300 006	○
Rigid design; height adjustment via clamping device	PHC 60	60	30	G 1/8"	313 000 007	○
	PHC 80	80	30	G 1/8"	313 000 008	○
	PHC 120	120	30	G 1/8"	313 000 009	○

* All dimensions in mm

○ Available at short notice on request

Mounting rail

Steel type C5, galvanized – or in stainless steel, for PHB and PHC. Standard length 2m, other lengths on request



Steel C section, type C5, galvanized
2,000mm long, tolerances in accordance
with DIN 59413

Article no.: 351 020 005 In V2A: 351 020 105

FITTINGS

For copper pipe

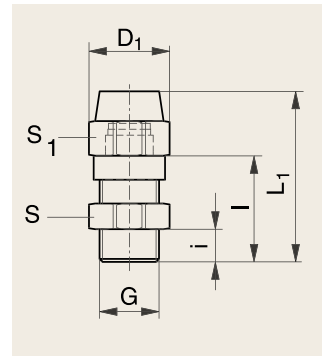
Straight screwed coupling

Brass, nickel-plated

Type	For ED* pipe	Connection G	L1*	i*	l*	D1*	S1*	S*	Article no.	Avail- ability
851M - 6 1/8	6	G 1/8"	21.5	6	12.5	-	12	13	313 100 001	○
851M - 8 1/8	8	G 1/8"	25.0	6	14.0	15.5	13	14	313 100 002	○
851M - 6 1/4	6	G 1/4"	22.0	8	13.0	-	12	17	313 100 012	○
851M - 8 1/4	8	G 1/4"	25.5	8	14.5	15.5	13	17	313 100 013	○

* All dimensions in mm

○ Available at short notice on request



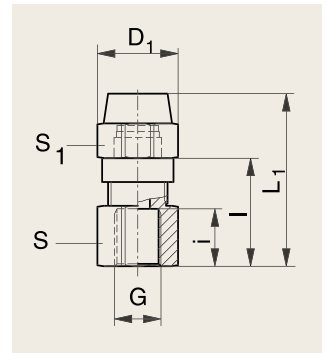
Straight female coupling

Brass, nickel-plated

Type	For ED* pipe	Connection G	L1*	i*	l*	D1*	S1*	S*	Article no.	Avail- ability
846M - 6 1/8	6	G 1/8"	27.0	8	18.0	-	12	13	313 100 003	○
846M - 8 1/8	8	G 1/8"	30.5	8	19.5	15.5	13	14	313 100 004	○

* All dimensions in mm

○ Available at short notice on request



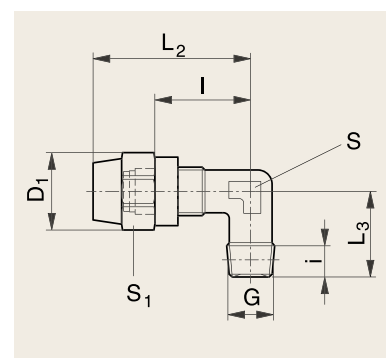
Angled screwed coupling (bevelled)

Brass, nickel-plated

Type	For ED* pipe	Connection G	L1*	i*	l*	D1*	S1*	S*	Article no.	Avail- ability
850M - 6 1/8 K	6	1/8 K	24.0	17	8.8	15.0	12	8	313 100 005	○
850M - 8 1/8 K	8	1/8 K	28.5	17	7.5	15.5	13	10	313 100 006	○

* All dimensions in mm

○ Available at short notice on request



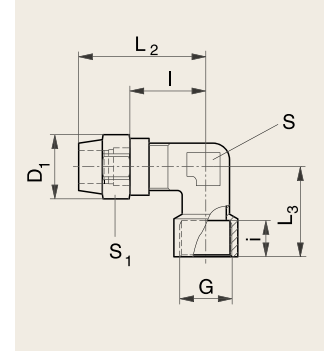
Angled female coupling

Brass, nickel-plated

Type	For ED* pipe	Connection G	L1*	L1*	i*	l*	D1*	S1*	S*	Article no.	Availability
849M - 6 1/8	6	G 1/8"	24.0	20	8	15.0	-	12	10	313 100 007	○
849M - 8 1/8	8	G 1/8"	28.5	20	8	17.5	15.5	13	10	313 100 008	○

* All dimensions in mm

○ Available at short notice on request



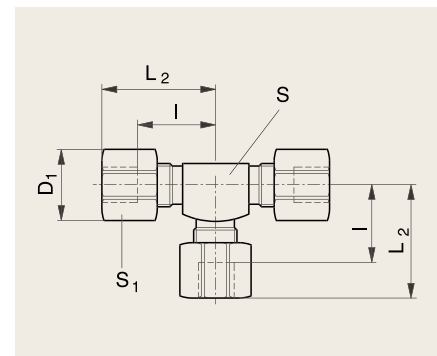
T fitting

Brass, nickel-plated

Type	For ED* pipe	L2*	i*	D1*	S1*	S*	Article no.	Availability
845M - 6	6	24.0	15.0	-	12	8	313 100 009	○
845M - 8	8	28.5	17.5	15.5	13	10	313 100 010	○
845M - 10	10	37.5	23.0	20.0	17	13	313 100 011	○

* All dimensions in mm

○ Available at short notice on request



FITTINGS

For PVC and PA 12W hose

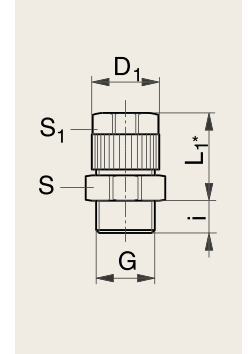
Straight screwed couplings

Brass, nickel-plated

Type	For D/d pipe	Connection G	Nominal width *	L1*	i*	D1*	S1*	S*	Article no.	Availability
151M - 6/4 - 1/8	6/4	G 1/8"	3.3	18.5	6	11.5	10	13	313 200 001	○
151M - 8/6 - 1/8	8/6	G 1/8"	5.3	18.5	6	13.5	12	13	313 200 002	○
151M - 10/8 - 1/8	10/8	G 1/8"	5.1	20.0	6	15.5	13	14	313 200 003	○
151M - 6/4 - 1/4	6/4	G 1/4"	3.3	19.0	8	11.5	10	17	313 200 021	○
151M - 8/6 - 1/4	8/6	G 1/4"	5.3	19.0	8	13.5	12	17	313 200 022	○
151M - 10/8 - 1/4	10/8	G 1/4"	7.0	20.5	8	15.5	13	17	313 200 023	○

* All dimensions in mm

○ Available at short notice on request



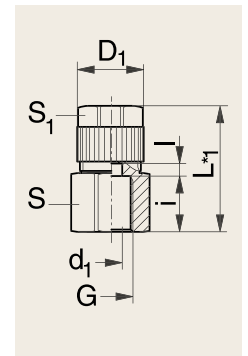
Straight female couplings

Brass, nickel-plated

Type	For D/d pipe	Connection G	Nominal width *	L1*	i*	l*	d1*	D1*	S1*	S*	Article no.	Availability
146M - 6/4 - 1/8	6/4	G 1/8"	3.3	24	8	-	5.5	11.5	10	13	313 200 004	○
146M - 8/6 - 1/8	8/6	G 1/8"	5.3	24	8	7	5.5	13.5	12	13	313 200 005	○

* All dimensions in mm

○ Available at short notice on request



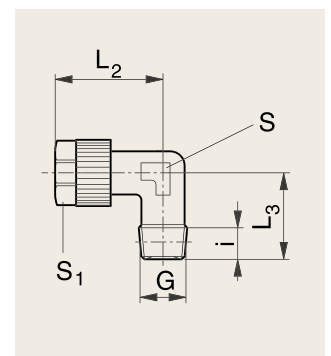
Angled screwed couplings (bevelled)

Brass, nickel-plated

Type	For ED* pipe	Connection G	Nominal width *	L2*	L3*	i*	D1*	S1*	S*	Article no.	Availability
150M - 6/4 - 1/8K	6/4	1/8K	3.3	21.5	17	7.5	11.5	10	8	313 100 006	○
150M - 8/6 - 1/8K	8/6	1/8K	4.6	21.5	17	7.5	13.5	12	8	313 100 007	○
150M - 10/8 - 1/8K	10/8	1/8K	5.6	24.0	17	7.5	15.5	13	10	313 100 008	○

* All dimensions in mm

○ Available at short notice on request



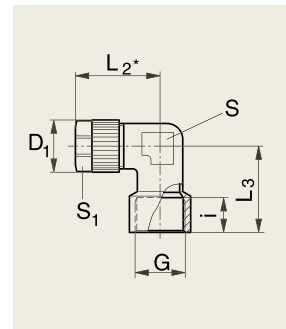
Angled female couplings

Brass, nickel-plated

Type	For D/d pipe	Connection G	Nominal width*	L2*	L2*	i*	D3*	D1*	S1*	S*	Article no.	Availability
149M - 6/4 - 1/8	6/4	G 1/8"	3.3	22.5	20	8	13	11.5	10	10	313 200 009	○
149M - 8/6 - 1/8	8/6	G 1/8"	5.3	22.5	20	8	13	13.5	12	10	313 200 010	○

* All dimensions in mm

○ Available at short notice on request



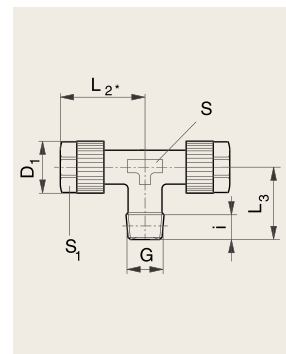
T screwed coupling (bevelled)

Brass, nickel-plated

Type	For D/d pipe	Connection G	Nominal width*	L2*	L3*	i*	D1*	S1*	S*	Article no.	Availability
141M - 6/4 - 1/8K	6/4	1/8K	3.3	21.5	17	7.5	11.5	10	8	313 100 011	○
141M - 8/6 - 1/8K	8/6	1/8K	4.6	21.5	17	7.5	13.5	12	8	313 100 012	○
141M - 10/8 - 1/8K	10/8	1/8K	5.6	24.0	17	7.5	15.5	13	10	313 100 013	○

* All dimensions in mm

○ Available at short notice on request



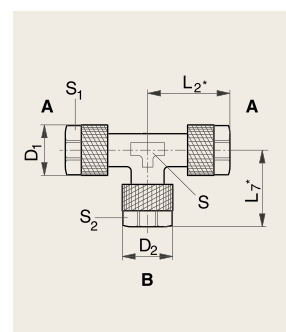
T fittings

Brass, nickel-plated

Type	For ED/d pipe	Connection G	Nominal width*	L2*	L7*	D1*	S1*	D2*	S2*	S*	Article no.	Availability
154M - 6/4	6/4	6/4	3.3	21.5	21.5	11.5	10	11.5	10	8	313 200 014	○
154M - 8/6 - 6/4	8/6	6/4	5.3/3.3	21.5	21.5	13.5	12	11.5	10	8	313 200 015	○
154M - 8/6	8/6	8/6	5.3	21.5	21.5	13.5	12	13.5	12	8	313 200 016	○
154M - 10/8 - 6/4	10/8	6/4	7/3.3	24.0	23.0	15.5	13	11.5	10	10	313 200 017	○
154M - 10/8 - 8/6	10/8	8/6	7/5.3	24.0	23.0	15.5	13	13.5	12	10	313 200 018	○
154M - 10/8	10/8	10/8	7	24.0	24.0	15.5	13	15.5	13	10	313 200 019	○

* All dimensions in mm

○ Available at short notice on request



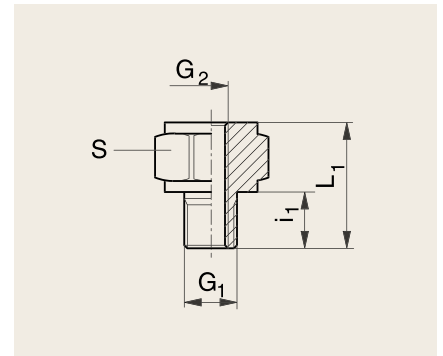
Reducing nipple (cylindrical)

Brass, nickel-plated

Type	Connection G1	Connection G2	L1*	i1*	S*	Article no.	Availability
252M - 1/8- 1/4	G 1/8 "	G 1/4 "	19.0	6	17	313 300 001	○
252M - 1/8- 3/8	G 1/8 "	G 3/8 "	20.0	6	19	313 300 002	○
252M - 1/8- 1/2	G 1/8 "	G 1/2 "	24.0	6	24	313 300 003	○
253M - 1/4- 1/8	G 1/4 "	G 1/8 "	13.0	8	17	313 300 004	○
253M - 3/8- 1/8	G 3/8 "	G 1/8 "	14.0	9	19	313 300 005	○
253M - 1/2- 1/8	G 1/2 "	G 1/8 "	15.5	10	24	313 300 006	○

* All dimensions in mm

○ Available at short notice on request



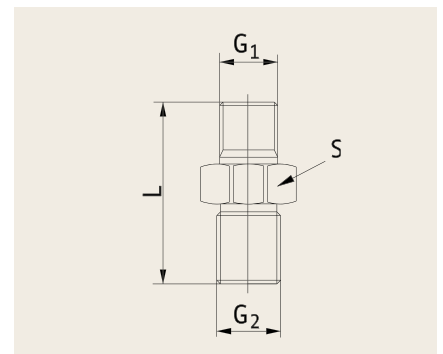
Double nipple

Brass, nickel-plated

Type	G1	G2	L	S	Article no.	Availability
250M - 1/8	1/8"	1/8"	16.5	13	314 100 001	○
251M - 1/8 K - 1/4 K	1/8 K	1/4 K	23.5	14	314 100 002	○
251M - 1/4 K - 3/8 K	1/4 K	3/8 K	27.5	17	314 100 003	○
250M - 1/8 K	1/8 K	1/8 K	19.5	10	314 100 004	○

* All dimensions in mm

○ Available at short notice on request



Angle pieces (cylindrical)

Brass

Type	Connection G	Article no.	Availability
303W - 1/8	G 1/8 "	313 400 001	○

○ Available at short notice on request

